

Features

- DC to 4 GHz
- Flanged model
- Low VSWR

Applications

- High power RF transmission

CHF3020CBF Series Power RF Terminations / Resistors

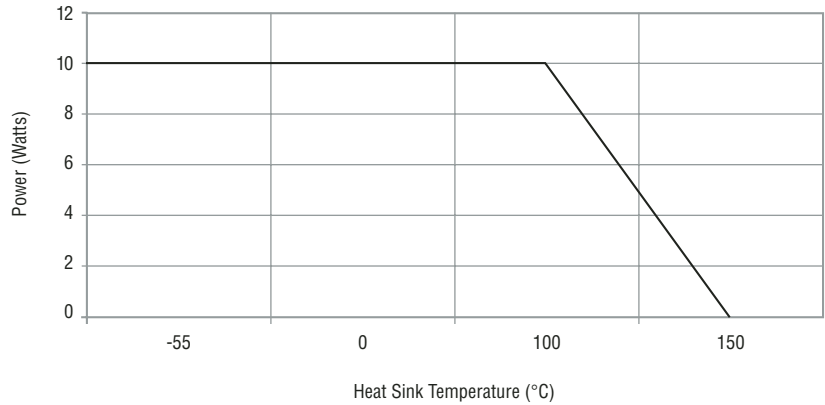
General Specifications

SubstrateBeo
 Resistive Film.....Thick Film
 TabAg
 Cover Substrate.....AL203
 Mounting FlangeCu plated with Ni
 Resistance.....50 Ω
 Tolerance.....±5 %
 Packaging100 pcs./box

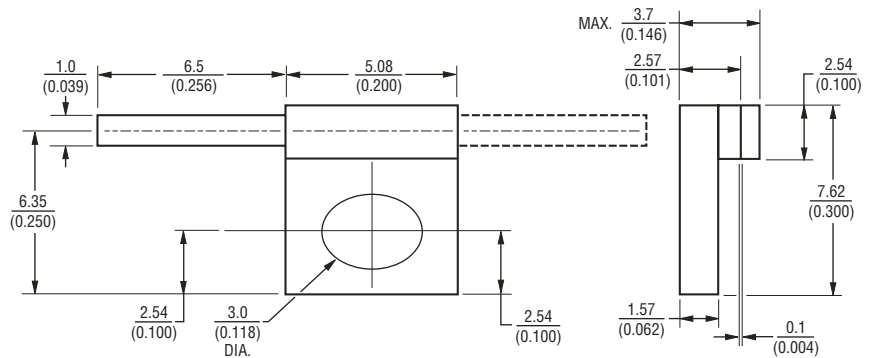
Absolute Ratings

Power10 W
 Frequency4.0 GHz
 VSWR.....1.35 Maximum
 Capacitance.....0.8 pF

Characteristic Curve



Product Dimensions



DIMENSIONS = $\frac{\text{MILLIMETERS}}{\text{(INCHES)}}$



Reliable Electronic Solutions

Asia-Pacific:

Tel: +886-2 2562-4117
 Fax: +886-2 2562-4116

Europe:

Tel: +41-41 768 5555
 Fax: +41-41 768 5510

The Americas:

Tel: +1-951 781-5500
 Fax: +1-951 781-5700

www.bourns.com

How To Order

CHF 3020 C B F 500 L

Model _____

Size _____

Version _____

Substrate _____

Mount _____
 F = Flange

Value _____
 500 = 50 Ohm

Function _____
 L = Termination
 R = Resistor